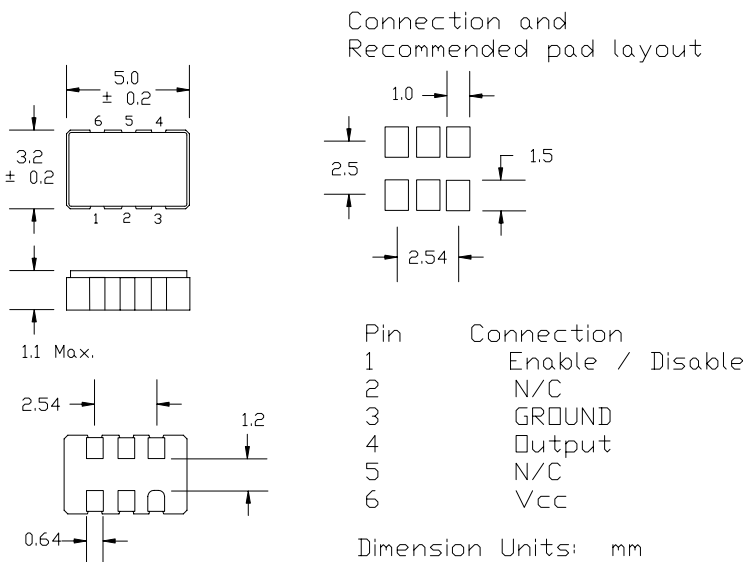




SMD Oscillator, TTL / HC-MOS, Spread Spectrum  
Ceramic Package, 3.2 mm x 5 mm

ISM72 Series

<b>Frequency</b>	10 MHz to 80.000 MHz
<b>Output Level</b>	HC-MOS
<b>Level</b>	'0' = 0.1 Vcc Max., '1' = 0.9 Vcc Min.
<b>Duty Cycle</b>	50% ± 10%
<b>Rise / Fall Time</b>	7 nS Max.
<b>Output Load</b>	15 pF HC-MOS
<b>Frequency Stability</b>	See Frequency Stability Table (Includes room temperature tolerance and stability over operating temperature)
<b>Start-up Time</b>	10 mS Max.
<b>Enable / Disable Time</b>	Disable = 10 nS Max., Enable = 10 mS Max.
<b>Supply Voltage</b>	3.3 VDC ±5%
<b>Current</b>	15 mA Max. @ Fo < 28 MHz, 20 mA Max. @ Fo > 28 MHz
<b>Temperature</b>	
<b>Operating</b>	See Operating Temperature Table
<b>Storage</b>	-40° C to +85° C
<b>Environmental / Tape and Reel</b>	See Appendix B for Environmental information, Appendix C for Tape and Reel information
<b>Package Information</b>	MSL = N.A., Termination = e4



Tri-State Function	
Pin 1 Open	Enable
Pin 1 ≥ 80% Vdd	Enable
Pin 1 ≤ 20% Vdd	Disable

Part Number Guide		Sample Part Number: ISM72 - 316BBH - 20.000					
Package	Input Voltage	Operating Temperature	Symmetry (Duty Cycle)	Modulation Ratio	Stability (in ppm)	Enable / Disable	Frequency
ISM72 -	3 = 3.3 V	1 = 0° C to +70° C	6 = 40 / 60 Max.	A = ±0.5 % B = ±1 % C = ±2 %	A = ±25 *	H = Enable	- 20.000 MHz
		6 = -10° C to +70° C			B = ±50		
		3 = -20° C to +70° C			C = ±100		
		2 = -40° C to +85° C					

NOTE: A 0.01 µF bypass capacitor is recommended between Vcc (pin 4) and Gnd (pin 2) to minimize power supply noise.  
\* Not available for all temperature ranges. \*\* Frequency, supply, and load related parameters.