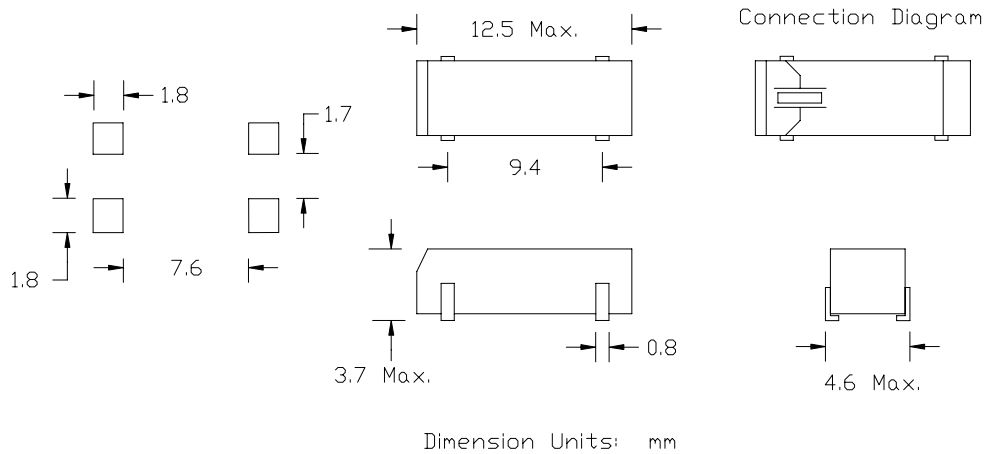




SMD Crystal, AT cut
4 Pad Plastic Package, 4.6 mm x 12.5 mm

IL3S Series

Frequency Range (MHz)	3.5 – 3.99	4.0 – 5.99	6.0 – 9.99	10 – 35
Equivalent Series Resistance (Ω)	200	150	100	50
Shunt Capacitance (C0)	7 pF Max.			
Frequency Tolerance	± 30 ppm Standard (see Appendix A for more options)			
Frequency Stability over Temperature	± 50 ppm Standard (see Appendix A for more options)			
Crystal Cut	AT Cut Standard, BT Cut Available for some Frequencies			
Load Capacitance	18 pF Standard (see Appendix A for more options)			
Drive Level	1 mW Max.			
Aging	± 5 ppm Max. / Year Standard			
Temperature				
Operating	0° C to +70° C Standard (see Appendix A for more options)			
Storage	-40° C to +85° C Standard			
Environmental / Tape and Reel	See Appendix B for Environmental information, Appendix C for Tape and Reel information			
Package Information	MSL = 2a, Termination = e1			



Part Number Guide		Sample Part Number: IL3S - FB1F18 - 20.000				
Package	Frequency Tolerance	Frequency Stability	Operating Temp.	Mode	Load Capacitance	Frequency
IL3S -	F = ± 30 ppm	B = ± 50 ppm	1 = 0° C to +70° C	F = Fundamental	18 = 18 pF	- 20.000 MHz