

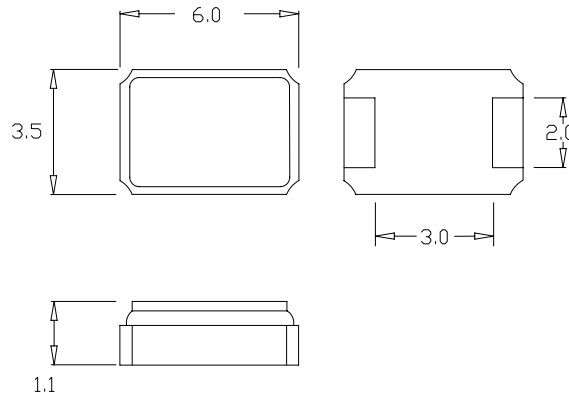
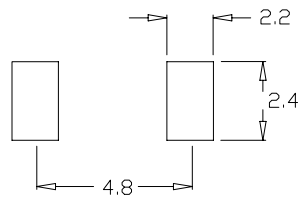


SMD Crystal, AT cut
2 Pad Ceramic Package, 3.5 mm x 6 mm

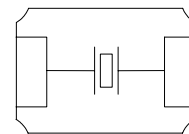
ILCX17 Series

Frequency Range (MHz)	10 MHz to 11.9 MHz (Fund.)	12 MHz to 45 MHz (Fund.)	32 MHz to 121 MHz (3 rd Overtone)
Equivalent Series Resistance (Ω Max.)	100	80	80
Shunt Capacitance (C0)	7 pF Max.		
Frequency Tolerance	± 30 ppm Standard (see Appendix A for more options)		
Frequency Stability over Temperature	± 50 ppm Standard (see Appendix A for more options)		
Crystal Cut	AT Cut		
Load Capacitance	18 pF Standard (see Appendix A for more options)		
Drive Level	1 mW Max.		
Aging	± 2 ppm Max. / Year Standard		
Temperature			
Operating	0° C to +70° C Standard (see Appendix A for more options)		
Storage	-40° C to +85° C Standard		
Environmental / Tape and Reel	See Appendix B for Environmental information, Appendix C for Tape and Reel information		
Package Information	MSL = N.A., Termination = e4		

Recommended Pad Layout



Connection Diagram



Dimension Units: mm

Part Number Guide		Sample Part Number: ILCX17 - FB1F18 - 20.000				
Package	Frequency Tolerance	Frequency Stability	Operating Temp.	Mode	Load Capacitance	Frequency
ILCX17 -	F = ± 30 ppm	B = ± 50 ppm	1 = 0° C to +70° C	F = Fundamental	18 = 18 pF	- 20.000 MHz