

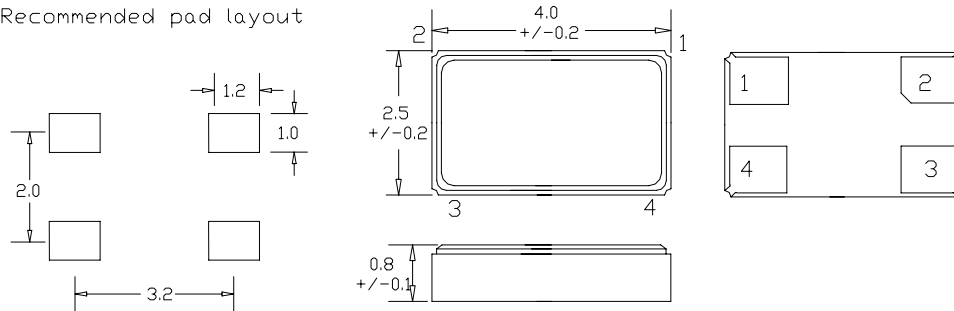


SMD Crystal, AT cut
4 Pad Ceramic Package, 2.5 mm x 4 mm

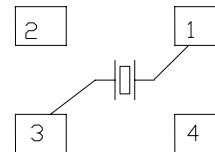
ILCX15 Series

Frequency Range (MHz)	14 MHz to 40 MHz (Fundamental)
Equivalent Series Resistance (Ω Max.)	100
Shunt Capacitance (C0)	7 pF Max.
Frequency Tolerance	± 30 ppm Standard (see Appendix A for more options)
Frequency Stability over Temperature	± 50 ppm Standard (see Appendix A for more options)
Crystal Cut	AT Cut
Load Capacitance	18 pF Standard (see Appendix A for more options)
Drive Level	100 uW Max.
Aging	± 5 ppm Max. / Year Standard
Temperature	
Operating	0° C to +70° C Standard (see Appendix A for more options)
Storage	-40° C to +85° C Standard
Environmental / Tape and Reel	See Appendix B for Environmental information, Appendix C for Tape and Reel information
Package Information	MSL = N.A., Termination = e4

Recommended pad layout



Connection diagram



Dimension Units: mm

Part Number Guide		Sample Part Number: ILCX15 - FB1F18 - 20.000				
Package	Frequency Tolerance	Frequency Stability	Operating Temp.	Mode	Load Capacitance	Frequency
ILCX15 -	F = ± 30 ppm	B = ± 50 ppm	1 = 0° C to +70° C	F = Fundamental	18 = 18 pF	- 20.000 MHz