

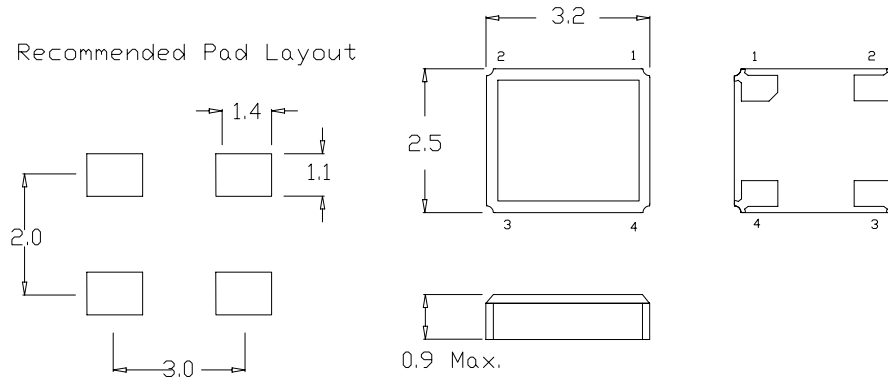


SMD Crystal, AT cut
4 Pad Ceramic Package, 2.5 mm x 3.2 mm

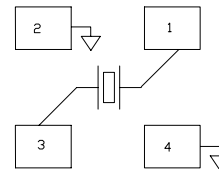
ILCX13 Series

| | | | |
|---|--|--------------------------------|--------------------------------|
| Frequency Range (MHz) | 13 MHz to 14 MHz (Fundamental) | 14 MHz to 30 MHz (Fundamental) | 30 MHz to 60 MHz (Fundamental) |
| Equivalent Series Resistance (Ω Max.) | 150 | 100 | 50 |
| Shunt Capacitance (C0) | 7 pF Max. | | |
| Frequency Tolerance | ± 30 ppm Standard (see Appendix A for more options) | | |
| Frequency Stability over Temperature | ± 50 ppm Standard (see Appendix A for more options) | | |
| Crystal Cut | AT Cut | | |
| Load Capacitance | 18 pF Standard (see Appendix A for more options) | | |
| Drive Level | 100 μ W Max. | | |
| Aging | ± 5 ppm Max. / Year Standard | | |
| Temperature | | | |
| Operating | 0° C to +70° C Standard (see Appendix A for more options) | | |
| Storage | -40° C to +85° C Standard | | |
| Environmental / Tape and Reel | See Appendix B for Environmental information, Appendix C for Tape and Reel information | | |
| Package Information | MSL = N.A., Termination = e4 | | |

Recommended Pad Layout



Connection Diagram



Dimension Units: mm

| Part Number Guide | | Sample Part Number: ILCX13 - FB1F18 - 20.000 | | | | |
|-------------------|---------------------|--|--------------------|-----------------|------------------|--------------|
| Package | Frequency Tolerance | Frequency Stability | Operating Temp. | Mode | Load Capacitance | Frequency |
| ILCX13 - | F = ± 30 ppm | B = ± 50 ppm | 1 = 0° C to +70° C | F = Fundamental | 18 = 18 pF | - 20.000 MHz |