

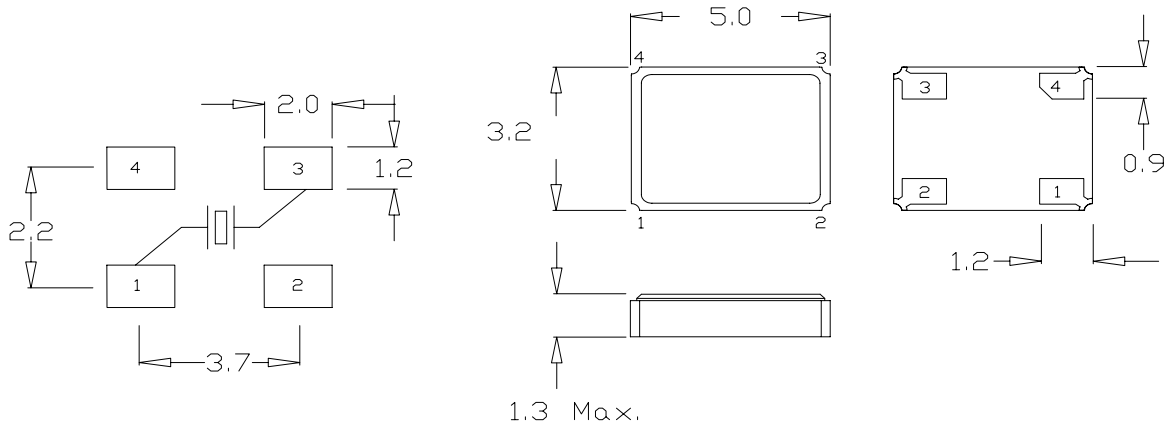


SMD Crystal, AT cut  
4 Pad Ceramic Package, 3.2 mm x 5 mm

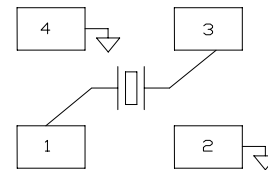
ILCX07 Series

|  |  |                    |                    |                  |                                |
|--|--|--------------------|--------------------|------------------|--------------------------------|
| <b>Frequency Range (MHz)</b>                                   | 10 MHz to 13.9   | 14 MHz to 19.9 MHz | 20 MHz to 39.9 MHz | 40 MHz to 66 MHz | 30 MHz to 100 MHz              |
| <b>Equivalent Series Resistance (<math>\Omega</math> Max.)</b> | 100  | 80                 | 60                 | 40               | 100 (3 <sup>rd</sup> Overtone) |
| <b>Shunt Capacitance (C0)</b>                                  | 7 pF Max.  |                    |                    |                  |                                |
| <b>Frequency Tolerance</b>                                     | $\pm 30$ ppm Standard (see Appendix A for more options)                                |                    |                    |                  |                                |
| <b>Frequency Stability over Temperature</b>                    | $\pm 50$ ppm Standard (see Appendix A for more options)                                |                    |                    |                  |                                |
| <b>Crystal Cut</b>   | AT Cut   |                    |                    |                  |                                |
| <b>Load Capacitance</b>  | 18 pF Standard (see Appendix A for more options)                                       |                    |                    |                  |                                |
| <b>Drive Level</b>   | 500 $\mu$ W Max.   |                    |                    |                  |                                |
| <b>Aging</b>   | $\pm 5$ ppm Max. / Year Standard   |                    |                    |                  |                                |
| <b>Temperature</b>   |  |                    |                    |                  |                                |
| <b>Operating</b>   | 0° C to +70° C Standard (see Appendix A for more options)                              |                    |                    |                  |                                |
| <b>Storage</b>   | -40° C to +85° C Standard  |                    |                    |                  |                                |
| <b>Environmental / Tape and Reel</b>                           | See Appendix B for Environmental information, Appendix C for Tape and Reel information |                    |                    |                  |                                |
| <b>Package Information</b>                                     | MSL = N.A., Termination = e4   |                    |                    |                  |                                |

Recommended pad layout



Connection Diagram



Dimension Units: mm

| Part Number Guide |                     | Sample Part Number: ILCX07B - FB1F18 - 20.000 |                    |                 |                  |              |
|-------------------|---------------------|---|--------------------|-----------------|------------------|--------------|
| Package           | Frequency Tolerance | Frequency Stability                           | Operating Temp.    | Mode            | Load Capacitance | Frequency    |
| ILCX07B -         | F = $\pm 30$ ppm    | B = $\pm 50$ ppm                              | 1 = 0° C to +70° C | F = Fundamental | 18 = 18 pF       | - 20.000 MHz |