

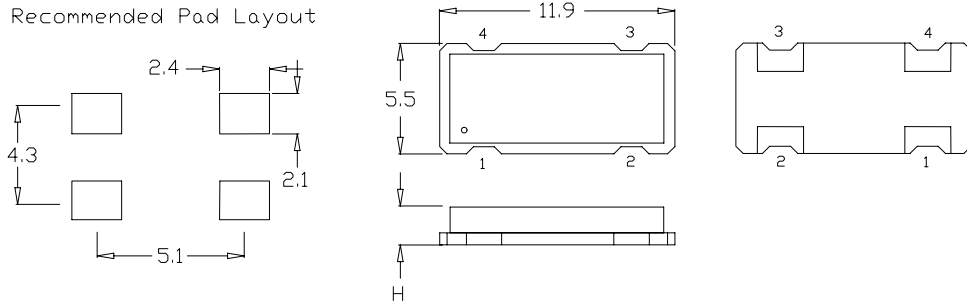


SMD Crystal, AT cut
4 Pad Ceramic Package, 5.5 mm x 11.8 mm

ILCX05 Series

Frequency Range (MHz)	3.5 MHz to 4.4 MHz	4.5 MHz to 6.9 MHz	7 MHz to 13.9 MHz	14 MHz to 25 MHz	30 MHz to 70 MHz
Equivalent Series Resistance (Ω Max.)	200	100	70	50	100 (3 rd)
Shunt Capacitance (C0)	7 pF Max.				
Frequency Tolerance	± 30 ppm Standard (see Appendix A for more options)				
Frequency Stability over Temperature	± 50 ppm Standard (see Appendix A for more options)				
Crystal Cut	AT Cut				
Load Capacitance	18 pF Standard (see Appendix A for more options)				
Drive Level	500 μ W Max.				
Aging	± 5 ppm Max. / Year Standard				
Temperature					
Operating	0° C to +70° C Standard (see Appendix A for more options)				
Storage	-40° C to +85° C Standard				
Environmental / Tape and Reel	See Appendix B for Environmental information, Appendix C for Tape and Reel information				
Package Information	MSL = 2a, Termination = e4				

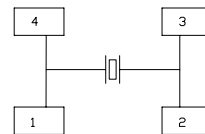
Recommended Pad Layout



ILCX05 H = 2.5 Max.
ILCX05A H = 2.0 Max.

Dimension Units: mm

Connection Diagram



Part Number Guide		Sample Part Number: ILCX05 - FB1F18 - 20.000				
Package	Frequency Tolerance	Frequency Stability	Operating Temp.	Mode	Load Capacitance	Frequency
ILCX05 -	F = ± 30 ppm	B = ± 50 ppm	1 = 0° C to +70° C	F = Fundamental	18 = 18 pF	- 20.000 MHz